

AR6230

Speed dome Camera

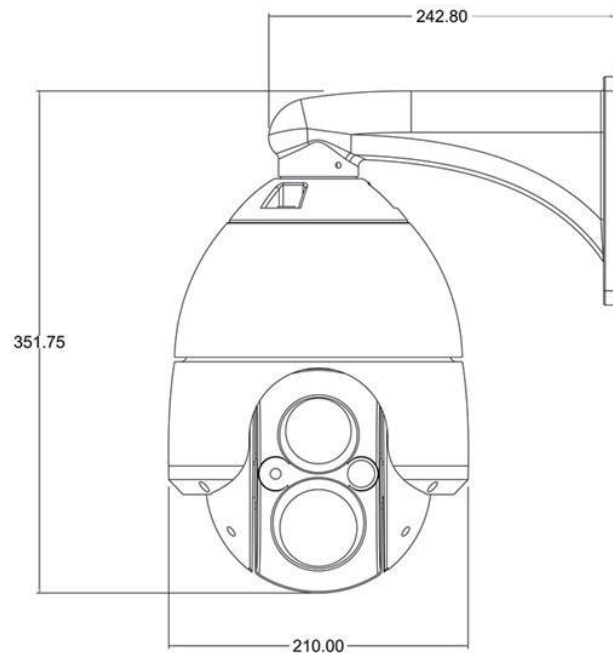
The AR6230 is a professional speed dome camera able to deliver an unparalleled image quality in 1080p. and real time video. Including a sophisticated zoom module with x30 lens and x12 digital zoom.

A powerful IR light support up to 150m. to help perfect night vision and WDR feature for day perfect and balanced image quality.

IP66 weather proof housing to stand most of harsh weather environments.



- 1/2.8" CMOS progressive sensor
- 2 megapixel 1080p. in real time
- 30x times optical zoom, x12 digital zoom
- Weather and vandal proof housing
- 150m. IR light
- Day and night
- WDR (Wide Dynamic Range)



Camera

| | |
|----------------------|--|
| Type | Speed dome |
| Image Sensor | 1/2.8" Exmor progressive CMOS |
| Minimum Illumination | Hight sensitivity mode |
| | Normal mode |
| Shutter Speed | 0.5Lx ICR off / 0.095Lx ICR on |
| White Balance | 1.7Lx ICR off / 0.3Lx ICR on |
| Gain Control | Automatic, Manual 1/2 ~ 1/10,000 s, 21 steps |
| WDR | Auto, ATW, Indoor, Outdoor Auto, Sodium Vapor Lamp(fix/auto), One-push, Manual |
| | Auto/Manual/Max. Gain Limit(-3 to 28 dB, 2 dB steps) |
| | Auto/Manual |

| Lens | |
|--------------------------|--|
| Megapixel | Yes |
| Day/Night | Yes |
| Lens Type | 30x Optical Zoom (12x digital zoom) |
| Focal Length | 4.3-129mm. |
| Maximum Aperture | F1.6-4.7 |
| View Angle | 54.1°(wide)-2.9°(tele) |
| Operation | |
| Video Compression | H.264, MJPEG, MPEG4 |
| Video Stream | Triple stream |
| Frame Rate | 30 fps. |
| Audio Compression | G.711, ACC |
| Two-way Audio | Yes |
| Sensor Input | 1 input |
| Alarm Output | 1 digital output |
| Bit rate | 64-7000Kb. |
| Video Resolution | |
| Resolution | 1920x1080 |
| Intelligent Video | |
| Types | Motion detection, audio detection, Arlotto analytic platform |
| Network | |
| Interface | 10/100 Ethernet |
| Security | Multi-level password, IP filter, HTTPS |
| Protocols | TCP/IP, SMTP, FTP, HTTP, RTP/RTSP, RTCP, IPv4, UPnP, NTP, ICMP, DHCP |
| Mechanical | |
| Power | 2 pin terminal block |
| Ethernet | RJ-45 |
| Connect Audio | 2 way |
| Digital I/O | 6 pin terminal block |
| TV-Out | BNC, resolution 640x480 |
| LED Indicator | 2 LED, Ethernet link/speed |
| Pan/Tilt/Zoom | 20 presets 360° pan via Auto-flip 90° tilt |
| General | |
| Environment Temperature | -10/50°C. |
| Weatherproof | IP66 |
| IR light | 150M |
| Humidity | 10-90% Not condensing |
| Power Source | 12V |
| Max. Power Consumption | 5 A. |
| Regulatory | CE, FCC, RoHS compliant |
| Web Interface | |
| Installation Management | Web based configuration |
| Maintenance | Upgrade through web browser |
| Platform | |
| Standard | Onvif 2.4, PSIA, Profile S |
| SDK | Available |



Arlotto Comnet Inc.

No. 54 Park Avenue 2. Hsinchu Science Park
30075 Hsinchu, Taiwan
Tel:+886-3-5678020 | Fax:+886-3-5678019
email: sales@arlotto.com.tw