

AR6220

Speed dome Camera

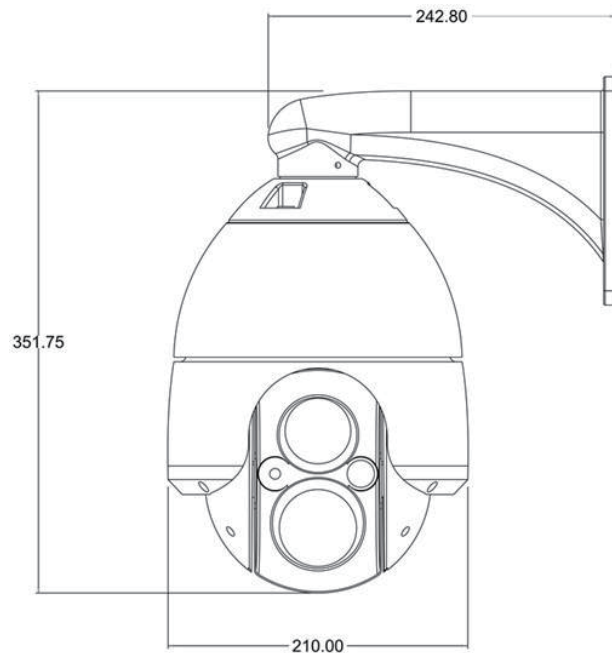
The AR6220 is a professional speed dome camera able to deliver an unparalleled image quality in 1080p. and real time video. Including a sophisticated zoom module with x20 lens and x10 digital zoom.

A powerful IR light support up to 150m. to help perfect night vision and WDR feature for day perfect and balanced image quality.

IP66 weather proof housing to stand most of harsh weather environments.



- 1/2.8" CMOS progressive sensor
- 2 megapixel 1080p. in real time
- 20x times optical zoom, x10 digital zoom
- Weather and vandal proof housing
- 150m. IR light
- Day and night
- WDR (Wide Dynamic Range)



Camera	
Type	Speed dome
Image Sensor	1/2.8" Exmor progressive CMOS
Minimum Illumination	Hght sensitivity mode
	Normal mode
Shutter Speed	Automatic, Manual 1/2 ~ 1/10,000 s, 21 steps
White Balance	Auto, ATW, Indoor, Outdoor Auto, Sodium Vapor Lamp(fix/auto), One-push, Manual
Gain Control	Auto/Manual/Max. Gain Limit(-3 to 28 dB, 2 dB steps)
WDR	Auto/Manual

Lens		
Megapixel	Yes	
Day/Night	Yes	
Lens Type	20x Optical Zoom (10x digital zoom)	
Focal Length	4.7-94mm.	
Maximum Aperture	F1.6-3.5	
View Angle	54.1°(wide)-2.9°(tele)	
Operation		
Video Compression	H.264, MJPEG, MPEG4	
Video Stream	Triple stream	
Frame Rate	30 fps.	
Audio Compression	G.711, ACC	
Two-way Audio	Yes	
Sensor Input	1 input	
Alarm Output	1 digital output	
Bit rate	64-7000Kb.	
Video Resolution		
Resolution	1920x1080	
Intelligent Video		
Types	Motion detection, audio detection, Arlotto analytic platform	
Network		
Interface	10/100 Ethernet	
Security	Multi-level password, IP filter, HTTPS	
Protocols	TCP/IP, SMTP, FTP, HTTP, RTP/RTSP, RTCP, IPv4, UPnP, NTP, ICMP,	
Mechanical		
Connectors	Power	2 pin terminal block
	Ethernet	RJ-45
	Audio	2 way
	Digital I/O	6 pin terminal block
	TV-Out	BNC, resolution 640x480
LED Indicator	2 LED, Ethernet link/speed	
Pan/Tilt/Zoom	20 presets 360° pan via Auto-flip 90° tilt	
General		
Environment Temperature	-10/50°C.	
Weatherproof	IP66	
IR light	150M	
Humidity	10-90% Not condensing	
Power Source	DC 12V	
Max. Power Consumption	5 A.	
Regulatory	CE, FCC, RoHS compliant	
Web Interface		
Installation Management	Web based configuration	
Maintenance	Upgrade through web browser	
Platform		
Standard	Onvif 2.4, PSIA, Profile S	
SDK	Available	



Arlotto Comnet Inc.

No. 54 Park Avenue 2. Hsinchu Science Park
 30075 Hsinchu, Taiwan
 Tel:+886-3-5678020 | Fax:+886-3-5678019
 email: sales@arlotto.com.tw