

# AR4500TAL

## Bullet Camera

The AR4500TAL bullet high resolution network cameras are designed to work in harsh weather condition 24/7, this industrial grade camera is tested in most extreme environments to perform faultless.

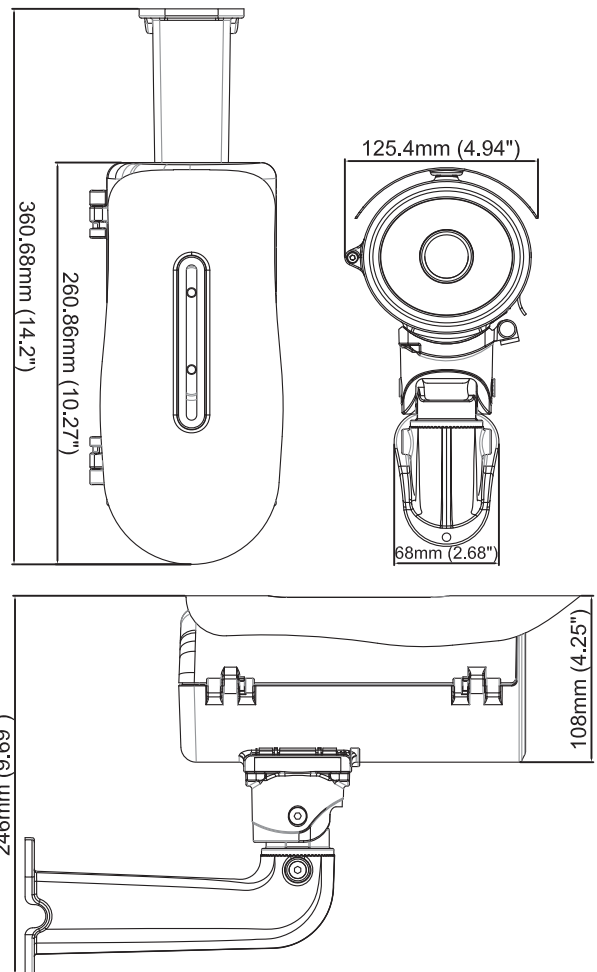
The AR4500TAL advanced bullet camera delivers 5 megapixel and real time video in 1080p. (HDTV).

Designed with industrial grade components in order to perform perfectly with out the requirement of heaters or fans.

ZERO maintenance and low power consumption camera able to work in a temperature range of -30/75°C., including POE and AC power for an easier and faster installation.



- 5 megapixel resolution / 2592x1920 at 12fps.
- 1/2,5" Bigger size Aptina sensor
- Advanced T.I. DSP processor
- Triple stream H.264/MJPEG/MPEG4
- Extended working temperature -30/75°C.
- Digital WDR
- Real time video (HDTV) 1080p.
- IP68 Heavy duty housing with 60m. IR light
- Cable managed bracket
- SD/SDHC local storage
- POE/AC power supply
- Varifocal, high resolution, autoiris lens
- Advanced light measurement



Camera		
Type	Bullet camera, metal casting body, IP68 weather proof, IR light 60m.	
Image Sensor	1/2,5" progressive CMOS	
Picture Elements	2592(H) x 1920(V)	
Minimum Illumination	Color	0.4 LUX @ F1.2
	B/W	0.2 LUX @ F1.2
	IR ON	0 Lux
Shutter Speed	Automatic, Manual 1/7,5 ~ 1/100,000 seg.	
White Balance	Automatic, settings	
Gain Control	Automatic	

Lens		
Megapixel		Yes
Day/Night		Yes
Lens Type		Varifocal
Focal Length		3,3-10,5mm.
Maximum Aperture		F1,4
Mount		Φ14 Mount
Image Format		1/2,5"
Operation	Focus	Manual
	Zoom	Manual
	Iris	DC iris
Operation		
Video Compression		H.264, MJPEG, MPEG4
Video Stream		Triple stream
Frame Rate		12 fps.
Image Setting		Brightness, Contrast, Sharpness, White balance, Flicker, Image flip, Shutter speed, Back light compensation, Digital WDR
Audio Compression		G.711, AAC-LC
Two-way Audio		Yes
Alarm Input		1 input
Alarm Output		1 digital output
Bit rate		64-7000Kb.
Video Resolution		
Main Stream		2592x1920
Sub Stream		2048x1536, 1920x1080, 1600x1200, 1280x1024, 1280x720, 720x480, 640x480, 320x192
Network		
Interface		10/100 Ethernet
Protocol		TCP/IP, SMTP, FTP, HTTP, RTP/RTSP, RTCP, IPv4, UPnP, NTP, ICMP, DHCP
Mechanical		
Connectors	Power	3 18AWG wire for AC, PoE
	Ethernet	RJ-45
	Audio	By adding external Audio In and Audio Out cable
	Digital I/O / RS485	6 pin terminal block
	Auto Iris	Yes
	Local Storage	SD/SDHC class 4 or above, USB
	TV - Out	BNC, resolution 640x480
LED Indicator		2 LED, power/status
General		
Environment Temperature		-30~75°C.
Humidity		10-90% Not condensing
Power Source		100~240V AC / PoE
Max. Power Consumption		7,8W. AC / 8,7W. PoE
Dimensions (L X W X H)		260,86 x 125,4 x 108mm (10,27" x 4,94" x 4,25") / 360,68 x 125,4 x 246mm (14,2" x 4,94" x 9,69")
Weight		1715g / 2170g
Regulatory		CE, FCC, RoHS compliant
Power over Ethernet		
PoE Standard		IEEE 802.3af
PoE Power Supply Type		End-span / Mid-span
Web Interface		
Installation Management		Web based configuration
Maintenance		Upgrade through web browser
Access from Web Browser		Camera live view, video recording, video settings, bandwidth control, image snapshot, audio, video/image schedule recording, alarms, text overlay, network settings
Language		English, Spanish, Arabic, Traditional Chinese, Turkish, Hebrew, French, Russian, Vietnamese
Applications		
Network Storage		Arlotto NVR devices
Live Viewing		IE
CMS Server support		Qgard and Arlotto CMS
Platform		
Standard		Onvif 2.4, PSIA, Profile S
SDK		Available



### Arlotto Comnet Inc.

No. 54 Park Avenue 2. Hsinchu Science Park  
30075 Hsinchu, Taiwan  
Tel:+886-3-5678020 | Fax:+886-3-5678019  
email: sales@arlotto.com.tw