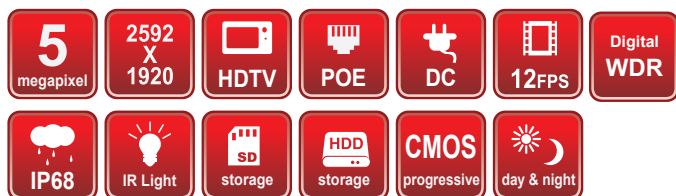


AR4500HL

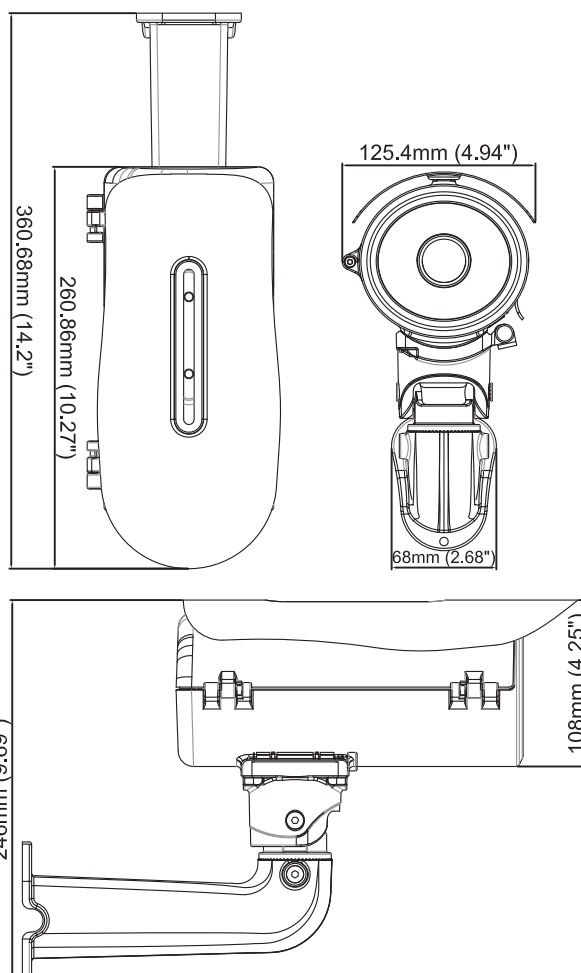
Bullet Camera

High resolution advanced network bullet camera in 5 megapixel resolution. The AR4500HL model comes with a built in hard drive in the camera to extend the local storage up to 120GB, besides the regular SD/SDHC storage.

5 megapixel resolution and best detail video stream, plus most advanced local recording capacity to ensure your surveillance system would continue recording for days even your networking is down.



- 5 megapixel resolution / 2592x1920 at 12fps.
- Advanced T.I. DSP processor
- Triple stream H.264/MJPEG/MPEG4
- Real time video (HDTV) 1080p.
- Digital WDR
- IP68 Heavy duty housing with 60m. IR light
- Cable managed bracket
- SD/SDHC and 120GB. local storage
- POE/DC power supply
- Varifocal, high resolution, autoiris lens
- Advanced light measurement



Camera		
Type		Bullet camera, metal casting body, IP68 weather proof, IR light 60m.
Image Sensor		1/2,5" progressive CMOS
Picture Elements		2592(H) x 1920(V)
Minimum Illumination	Color	0.4 LUX @ F1.2
	B/W	0.2 LUX @ F1.2
	IR ON	0 Lux
Shutter Speed		Automatic, Manual 1/7,5 ~ 1/100,000 seg.
White Balance		Automatic, settings
Gain Control		Automatic

Lens		
Megapixel		Yes
Day/Night		Yes
Lens Type		Varifocal
Focal Length		3,3-10,5mm.
Maximum Aperture		F1,4
Mount		Φ14 Mount
Image Format		1/2,5"
Operation	Focus	Manual
	Zoom	Manual
	Iris	DC iris
Operation		
Video Compression		H.264, MJPEG, MPEG4
Video Stream		Triple stream
Frame Rate		12 fps.
Image Setting		Brightness, Contrast, Sharpness, White balance, Flicker, Image flip, Shutter speed, Back light compensation, Digital WDR
Audio Compression		G.711, AAC-LC
Two-way Audio		Yes
Alarm Input		1 input
Alarm Output		1 digital output
Bit rate		64-7000Kb.
Video Resolution		
Main Stream		2592x1920
Sub Stream		2048x1536, 1920x1080, 1600x1200, 1280x1024, 1280x720, 720x480, 640x480, 320x192
Network		
Interface		10/100 Ethernet
Protocol		TCP/IP, SMTP, FTP, HTTP, RTP/RTSP, RTCP, IPv4, UPnP, NTP, ICMP, DHCP
Mechanical		
Connectors	Power	DC Power Jack, PoE
	Ethernet	RJ-45
	Audio	By adding external Audio In and Audio Out cable
	Digital I/O / RS485	6 pin terminal block
	Auto Iris	Yes
	Local Storage	SD/SDHC class 4 or above, 120 GB.Built in 1,8"HDD
	TV-Out	BNC, resolution 640x480
LED Indicator		2 LED, power/status
General		
Environment Temperature		0~50°C.
Humidity		10-90% Not condensing
Power Source		12V DC / PoE
Max. Power Consumption		10,1W. DC / 11W. PoE
Dimensions (L X W X H)		260,86 x 125,4 x 108mm (10,27" x 4,94" x 4,25") / 360,68 x 125,4 x 246mm (14,2" x 4,94" x 9,69")
Weight		1625g / 2080g
Regulatory		CE, FCC, RoHS compliant
Power over Ethernet		
PoE Standard		IEEE 802.3af
PoE Power Supply Type		End-span / Mid-span
Web Interface		
Installation Management		Web based configuration
Maintenance		Upgrade through web browser
Access from Web Browser		Camera live view, video recording, video settings, bandwidth control, image snapshot, audio, video/image schedule recording, alarms, text overlay, network settings
Language		English, Spanish, Arabic, Traditional Chinese, Turkish, Hebrew, French, Russian, Vietnamese
Applications		
Network Storage		Arlotto NVR devices
Live Viewing		IE
CMS Server support		Qgard and Arlotto CMS
Platform		
Standard		Onvif 2.4, PSIA, Profile S
SDK		Available



Arlotto Comnet Inc.

No. 54 Park Avenue 2. Hsinchu Science Park
30075 Hsinchu, Taiwan

Tel:+886-3-5678020 | Fax:+886-3-5678019

email: sales@arlotto.com.tw