

AR4200TAL

Bullet Camera

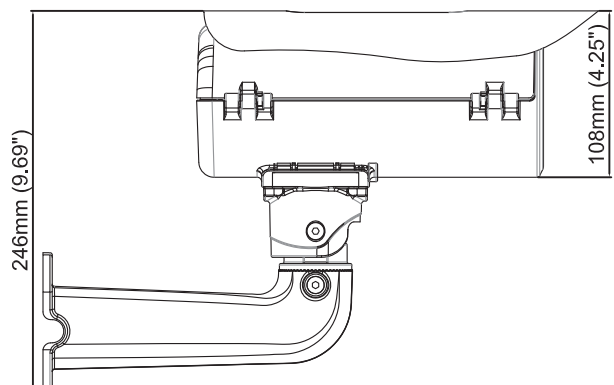
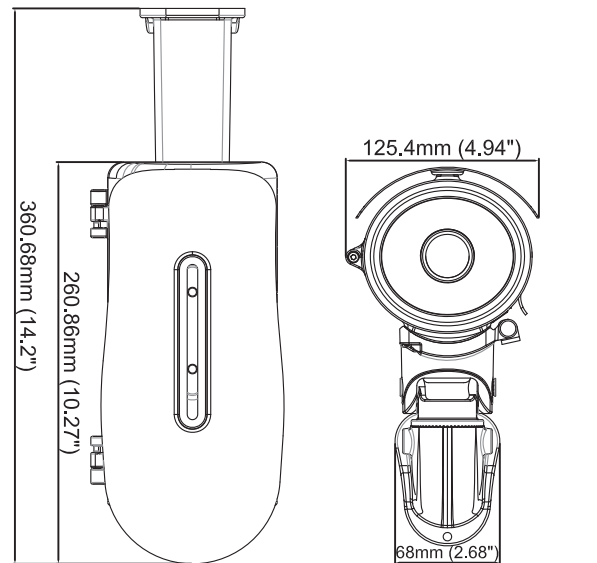
The AR4200TAL bullet high resolution network camera is designed to work in harsh weather condition 24/7., this industrial grade camera is tested in most extreme environments to perform faultless.

This advanced bullet network camera with real time video in 1080p. (HDTV) is designed with industrial grade components in order to perform perfectly without any heaters or fan, having ZERO maintenance and low power consumption. This camera is designed to be able to work from -30/75°C.

The AR4200TAL professional camera provides the possibility to system integrators and users to be installed well through POE or AC power supply, making the installations much easier, faster and cheaper.



- 1/2,5" Bigger size Aptina sensor
- High definition video in 1920x1080 / 30fps.
- Advanced T.I. DSP processor
- Triple stream H.264/MJPEG/MPEG4
- Extended working temperature -30/75°C.
- Real time video (HDTV) 1080p.
- Digital WDR
- IP68 professional housing with 60m. IR light
- Cable managed bracket
- SD/SDHC local storage
- POE/AC power supply
- Varifocal, high resolution, autoiris lens



Camera		
Type		Bullet camera, metal casting body, IP68 weather proof, IR light 60m.
Image Sensor		1/2,5" progressive CMOS
Picture Elements		1920(H) x 1200(V)
Minimum Illumination	Color	0.4 LUX @ F1.2
	B/W	0.2 LUX @ F1.2
	IR ON	0 Lux
Shutter Speed		Automatic, Manual 1/7,5 ~ 1/100,000 seg.
White Balance		Automatic, settings
Gain Control		Automatic

Lens		
Megapixel		Yes
Day/Night		Yes
Lens Type		Varifocal
Focal Length		3-10,5mm.
Maximum Aperture		F1,4
Mount		Φ14 Mount
Image Format		1/2,7"
Operation	Focus	Manual
	Zoom	Manual
	Iris	DC iris
Operation		
Video Compression		H.264, MJPEG, MPEG4
Video Stream		Triple stream
Frame Rate		30 fps.
Image Setting		Brightness, Contrast, Sharpness, White balance, Flicker, Image flip, Shutter speed, Back light compensation, Digital WDR
Audio Compression		G.711, AAC-LC
Two-way Audio		Yes
Alarm Input		1 input
Alarm Output		1 digital output
Bit rate		64-7000Kb.
Video Resolution		
Main Stream		1920x1080
Sub Stream		1600x1200, 1280x1024, 1280x720, 720x480, 640x480, 320x192
Network		
Interface		10/100 Ethernet
Protocol		TCP/IP, SMTP, FTP, HTTP, RTP/RTSP, RTCP, IPv4, UPnP, NTP, ICMP, DHCP
Mechanical		
Connectors	Power	3 18AWG wire for AC, PoE
	Ethernet	RJ-45
	Audio	By adding external Audio In and Audio Out cable
	Digital I/O / RS485	6 pin terminal block
	Auto Iris	Yes
	Local Storage	SD/SDHC class 4 or above, USB
	TV-Out	BNC, resolution 640x480
LED Indicator		2 LED, power/status
General		
Environment Temperature		-30~75°C.
Humidity		10-90% Not condensing
Power Source		100~240V AC / PoE
Max. Power Consumption		7,8W. AC / 8,7W. PoE
Dimensions (L X W X H)		260,86 x 125,4 x 108mm (10,27" x 4,94" x 4,25") / 360,68 x 125,4 x 246mm (14,2" x 4,94" x 9,69")
Weight		1715g / 2170g
Regulatory		CE, FCC, RoHS compliant
Power over Ethernet		
PoE Standard		IEEE 802.3af
PoE Power Supply Type		End-span / Mid-span
Web Interface		
Installation Management		Web based configuration
Maintenance		Upgrade through web browser
Access from Web Browser		Camera live view, video recording, video settings, bandwidth control, image snapshot, audio, video/image schedule recording, alarms, text overlay, network settings
Language		English, Spanish, Arabic, Traditional Chinese, Turkish, Hebrew, French, Russian, Vietnamese
Applications		
Network Storage		Arlotto NVR devices
Live Viewing		IE
CMS Server support		Qgard and Arlotto CMS
Platform		
Standard		Onvif 2.4, PSIA, Profile S
SDK		Available



Arlotto Comnet Inc.

No. 54 Park Avenue 2. Hsinchu Science Park
30075 Hsinchu, Taiwan

Tel:+886-3-5678020 | Fax:+886-3-5678019

email: sales@arlotto.com.tw