

AR4200L

Bullet Camera

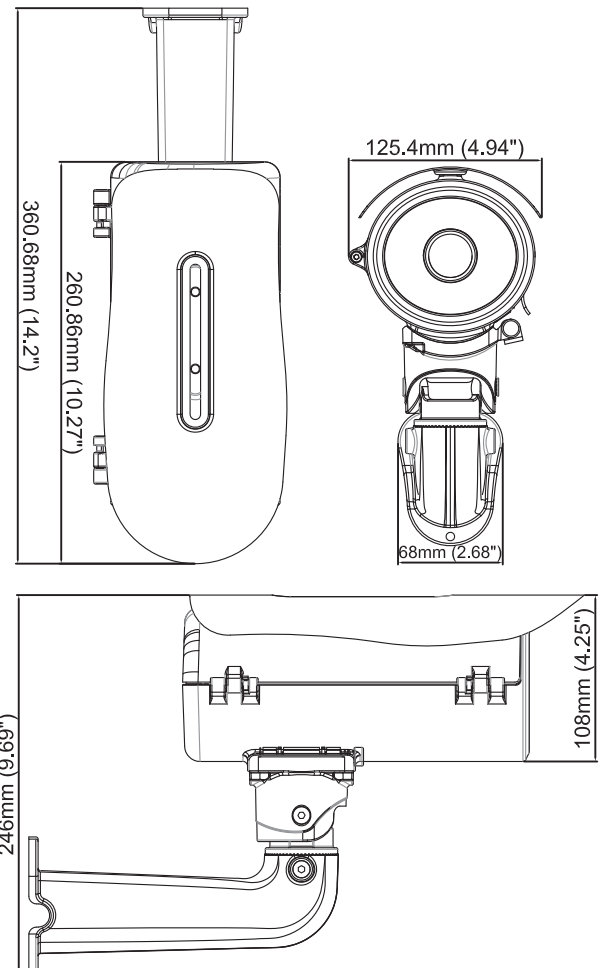
The AR4200L advanced network camera from Arlotto delivers best image quality.

Manufactured with a top quality Aptina 1/2.5" CMOS sensor, this real day and night camera comes with a heavy duty and professional aluminum housing.

It delivers video in 2 megapixel or 1080p. real time and includes features like 60m. IR light, POE, local storage and many others.



- 1/2,5" Bigger size Aptina sensor
- Real time video (HDTV) 1080p.
- Triple stream H.264/MJPEG/MPEG4
- Digital WDR
- Heavy duty housing with 60m. IR light
- SD/SDHC and USB local storage
- POE/DC power supply
- Varifocal, high resolution, autoiris lens
- Advanced light measurement



Camera		
Type	Bullet camera, metal casting body, IP68 weather proof, IR light 60m.	
Image Sensor	1/2.5" progressive CMOS	
Picture Elements	1920(H) x 1200(V)	
Minimum Illumination	Color	0.4 LUX @ F1.2
	B/W	0.2 LUX @ F1.2
	IR ON	0 Lux
Shutter Speed	Automatic, Manual 1/7,5 ~ 1/100,000 seg.	
White Balance	Automatic, settings	
Gain Control	Automatic	

Lens		
Megapixel		Yes
Day/Night		Yes
Lens Type		Varifocal
Focal Length		3-10,5mm.
Maximum Aperture		F1,4
Mount		Φ14 Mount
Image Format		1/2,7"
Operation	Focus	Manual
	Zoom	Manual
	Iris	DC iris
Operation		
Video Compression		H.264, MJPEG, MPEG4
Video Stream		Triple stream
Frame Rate		30 fps.
Image Setting		Brightness, Contrast, Sharpness, White balance, Flicker, Image flip, Shutter speed, Back light compensation, Digital WDR
Audio Compression		G.711, AAC-LC
Two-way Audio		Yes
Alarm Input		1 input
Alarm Output		1 digital output
Bit rate		64-7000Kb.
Video Resolution		
Main Stream		1920x1080
Sub Stream		1600x1200, 1280x1024, 1280x720, 720x480, 640x480, 320x192
Network		
Interface		10/100 Ethernet
Protocol		TCP/IP, SMTP, FTP, HTTP, RTP/RTSP, RTCP, IPv4, UPnP, NTP, ICMP, DHCP
Mechanical		
Connectors	Power	DC Power Jack, PoE
	Ethernet	RJ-45
	Audio	By adding external Audio In and Audio Out cable
	Digital I/O / RS485	6 pin terminal block
	Auto Iris	Yes
	Local Storage	SD/SDHC class 4 or above, USB
	TV-Out	BNC, resolution 640x480
LED Indicator		2 LED, power/status
General		
Environment Temperature		-10~50°C.
Humidity		10-90% Not condensing
Power Source		12V DC / PoE
Max. Power Consumption		7,8W. DC / 8,7W. PoE
Dimensions (L X W X H)		260,86 x 125,4 x 108mm (10,27" x 4,94" x 4,25") / 360,68 x 125,4 x 246mm (14,2" x 4,94" x 9,69")
Weight		1570g / 2025g
Regulatory		CE, FCC, RoHS compliant
Power over Ethernet		
PoE Standard		IEEE 802.3af
PoE Power Supply Type		End-span / Mid-span
Web Interface		
Installation Management		Web based configuration
Maintenance		Upgrade through web browser
Access from Web Browser		Camera live view, video recording, video settings, bandwidth control, image snapshot, audio, video/image schedule recording, alarms, text overlay, network settings
Language		English, Spanish, Arabic, Traditional Chinese, Turkish, Hebrew, French, Russian, Vietnamese
Applications		
Network Storage		Arlotto NVR devices
Live Viewing		IE
CMS Server support		Qgard and Arlotto CMS
Platform		
Standard		Onvif 2.4, PSIA, Profile S
SDK		Available



Arlotto Comnet Inc.

No. 54 Park Avenue 2. Hsinchu Science Park
 30075 Hsinchu, Taiwan
 Tel:+886-3-5678020 | Fax:+886-3-5678019
 email: sales@arlotto.com.tw