

AR3528PE

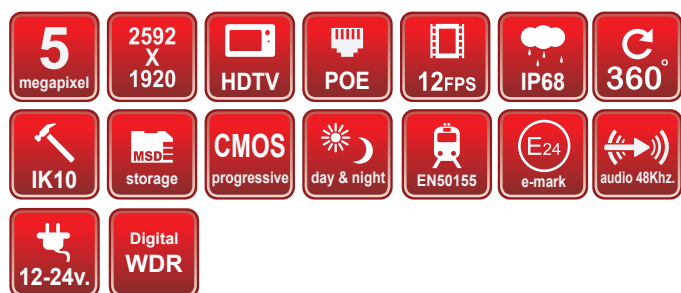
360° De-warping Camera

Best performance mini-dome 360° panoramic vision network camera in 5 megapixel resolution, designed with most advanced technology and including a Japanese quality lens in order to provide crispy quality panoramic image.

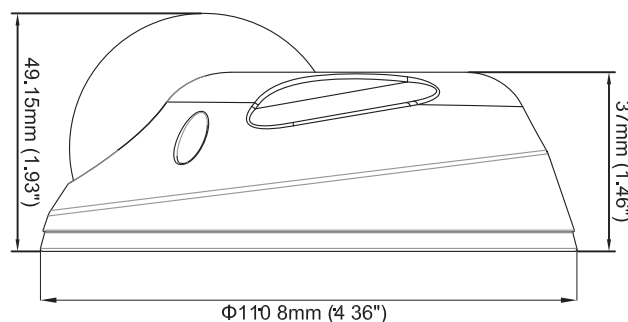
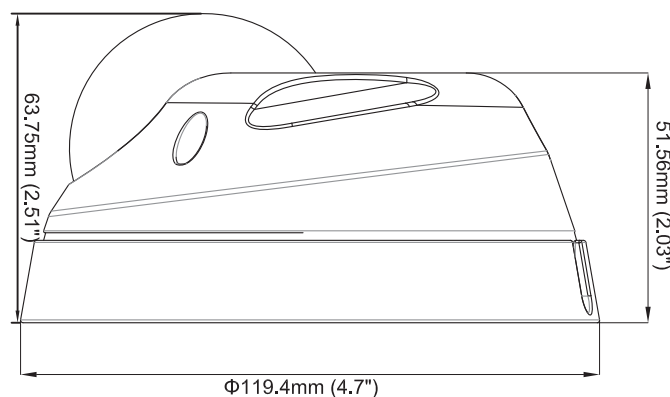
EN50155 and e-mark certified for massive transportation use in trains, buses, undergrounds and others, including external high quality audio input up to 48Khz.

The IK10 vandal proof level and the extreme IP68 weather proof resistant housing ensures this camera to have a wide range of applications where harsh environment and vandalism are compromising regular surveillance cameras.

The AR3528PE can be used with POE or 12-24v. DC power.



- 5 megapixel resolution
- 360° panoramic vision
- e-mark certification
- External audio in, up to 48Khz.
- IP68 and IK10 full metal housing
- EN50155 transportation certified
- H.264 compression, triple stream
- Digital WDR
- Micro SD local storage
- POE and DC power supply
- High definition Japanese lens



Camera		
Type		Mini-dome panoramic camera, metal casting body, IP68 and IK10 vandal proof
Image Sensor		1/2,5" progressive CMOS
Picture Elements		2592(H) x 1920(V)
Minimum Illumination	Color	0.4 LUX @ F1.2
	B/W	0.2 LUX @ F1.2
Shutter Speed		Automatic, Manual 1/7,5 ~ 1/100,000 seg.
White Balance		Automatic, settings
Gain Control		Automatic

Lens		
Megapixel	Yes	
Lens Type	Fish-eye	
Focal Length	1,05mm.	
Maximum Aperture	F2,8	
Mount	M12 Mount	
Image Format	1/2,5"	
Operation	Focus	Manual
	Iris	Fixed iris
Operation		
Video Compression	H.264	
Video Stream	Single	
Frame Rate	12 fps.	
Image Setting	Brightness, Contrast, Sharpness, White balance, Flicker, Image flip, Shutter speed, Back light compensation, Digital WDR	
Audio Compression	G.711, AAC-LC	
One-way Audio	Yes	
Audio sampling	External audio in, up to 48Khz.	
Bit rate	64-7000Kb.	
Video Resolution		
Main Stream	2592x1920	
Network		
Interface	10/100 Ethernet	
Protocol	TCP/IP, SMTP, FTP, HTTP, RTP/RTSP, RTCP, IPv4, UPnP, NTP, ICMP, DHCP	
Mechanical		
Connectors	Power	PoE, DC12-24v.
	Ethernet	RJ-45
	Audio	By adding external Audio In cable
	Local Storage	Micro SD/SDHC class 4 or above
General		
Environment Temperature	-10~50°C.	
Humidity	10-90% Not condensing	
Power Source	PoE, DC12-24v.	
Max. Power Consumption	4,6W.	
Dimensions (L X W X H)	Φ110,8 x 49,15mm (Φ4,36" x 1,93") / Φ119,4 x 63,75mm (Φ4,7" x 2,51")	
Weight	370g / 415g	
Regulatory	CE, FCC, RoHS compliant, EN50155, e-mark	
Power over Ethernet		
PoE Standard	IEEE 802.3af	
PoE Power Supply Type	End-span / Mid-span	
Web Interface		
Installation Management	Web based configuration	
Maintenance	Upgrade through web browser	
Access from Web Browser	Camera live view, video recording, video settings, bandwidth control, image snapshot, audio, video/image schedule recording, alarms, tect overlay, network settings	
Language	English, Spanish, Arabic, Traditional Chinese, Turkish, Hebrew, French, Russian, Vietnamese	
Applications		
Network Storage	Arlotto NVR devices	
Live Viewing	IE	
CMS Server support	Qgard and Arlotto CMS	
Platform		
Standard	Onvif 2.4, PSIA, Profile S	
SDK	Available	



Arlotto Comnet Inc.

No. 54 Park Avenue 2. Hsinchu Science Park
 30075 Hsinchu, Taiwan
 Tel:+886-3-5678020 | Fax:+886-3-5678019
 email: sales@arlotto.com.tw