

AR3520PTA

Mini-dome Camera

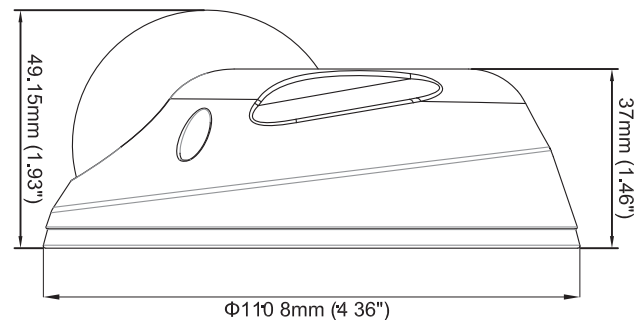
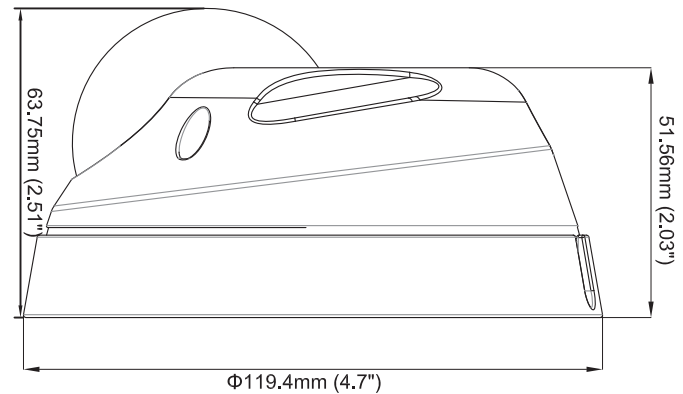
The AR3520PTA is a small factor 5 megapixel mini-dome panoramic network camera, with a very compact and robust design, able to provide panoramic video with 360° vision around the camera, avoiding blind areas and decreasing the number of cameras used in the installations.

EN50155 certified for transportation applications and built-in microphone.

Thoroughly protected with an IP67 and IK10 full aluminum housing. Giving a great performance protection against water and dust and even to hard vandalism situations.



- 5 megapixel resolution panoramic video
- IP67 and IK10 metal housing
- EN50155 certified
- Built-in microphone
- Triple stream H.264/MJPEG/MPEG4
- Digital WDR
- Micro SD/SDHC local storage
- POE power supply
- High resolution fix focal/IR sensible lens
- Extended working temperature from -30°/75°C



Camera		
Type		Mini-dome, metal casting body, IP67 and IK10 vandal proof
Image Sensor		1/2,5" progressive CMOS
Picture Elements		2592(H)x1920(V)
Minimum Illumination	Color	0.4 LUX @ F1.2
	B/W	0.2 LUX @ F1.2
Shutter Speed		Automatic, Manual 1/7,5 ~ 1/100,000 seg.
White Balance		Automatic, settings
Gain Control		Automatic

Lens		
Megapixel	Yes	
Lens Type	Fix focal	
Focal Length	1.37mm.	
Maximum Aperture	F1,6	
Mount	M12 Mount	
Image Format	1/2,5"	
Operation	Focus	Manual
	Iris	Fixed iris
Operation		
Video Compression	H.264, MJPEG, MPEG4	
Video Stream	Triple stream	
Frame Rate	12 fps.	
Image Setting	Brightness, Contrast, Sharpness, White balance, Flicker, Image flip, Shutter speed, Back light compensation, Digital WDR	
Audio Compression	G.711, AAC-LC	
Audio	Built-in microphone	
Bit rate	64-7000Kb.	
Video Resolution		
Main Stream	2592x1920	
Sub Stream	1920x1080,1600x1200, 1280x1024, 1280x720, 720x480, 640x480, 320x192	
Network		
Interface	10/100 Ethernet	
Protocol	TCP/IP, SMTP, FTP, HTTP, RTP/RTSP, RTCP, IPv4, UPnP, NTP, ICMP, DHCP	
Mechanical		
Connectors	Power	PoE
	Ethernet	RJ-45
	Audio	By adding external Audio In cable
	Local Storage	Micro SD/SDHC class 4 or above
General		
Environment Temperature	-30°~75°C.	
Humidity	10-90% Not condensing	
Power Source	PoE	
Max. Power Consumption	4,6W.	
Dimensions (L X W X H)	Φ110,8 x 49,15mm (Φ4,36" x 1,93") / Φ119,4 x 63,75mm (Φ4,7" x 2,51")	
Weight	360g / 405g	
Regulatory	CE, FCC, RoHS compliant, EN50155	
Power over Ethernet		
PoE Standard	IEEE 802.3af	
PoE Power Supply Type	End-span / Mid-span	
Web Interface		
Installation Management	Web based configuration	
Maintenance	Upgrade through web browser	
Access from Web Browser	Camera live view, video recording, video settings, bandwidth control, image snapshot, audio, video/image schedule recording, alarms, text overlay, network settings	
Language	English, Spanish, Arabic, Traditional Chinese, Turkish, Hebrew, French, Russian, Vietnamese	
Applications		
Network Storage	Arlotto NVR devices	
Live Viewing	IE	
CMS Server support	Qgard and Arlotto CMS	
Platform		
Standard	Onvif 2.4, PSIA, Profile S	
SDK	Available	



Arlotto Comnet Inc.

No. 54 Park Avenue 2. Hsinchu Science Park
 30075 Hsinchu, Taiwan
 Tel:+886-3-5678020 | Fax:+886-3-5678019
 email: sales@arlotto.com.tw