

# AR3520PE

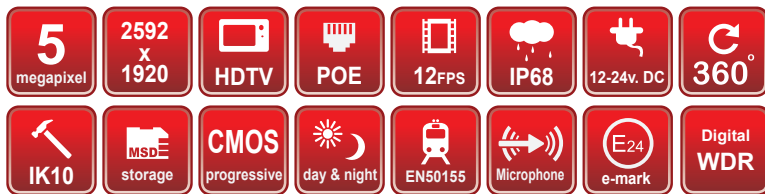
## Mini-dome Camera

The AR3520PE is a small factor 5 megapixel mini-dome panoramic network camera. Very compact in size and delivering high definition 360° panoramic video. Very few number of cameras are able to cover complete trains and buses with out blind areas.

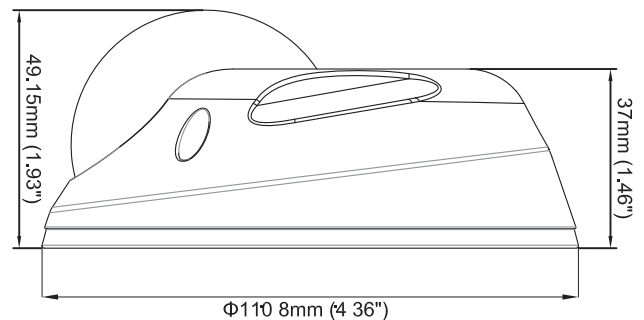
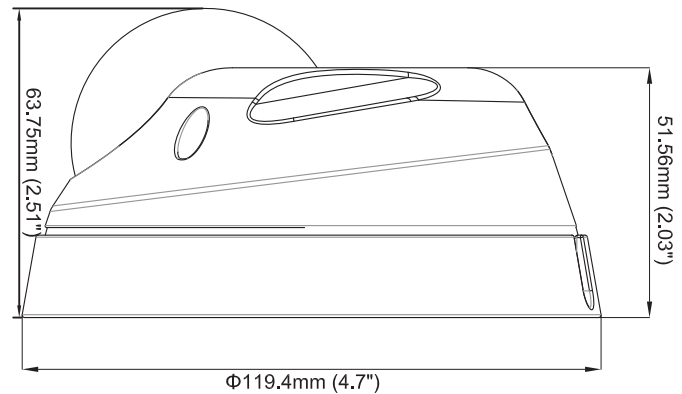
Specially designed for transport applications, including POE and DC power 12-24V. for an easier installation and external audio connection up to 48Khz.

EN50155 and e-mark certified.

Thoroughly protected with an IP68 and IK10 full aluminum housing.



- 1/2,5" Bigger size Aptina CMOS sensor
- IP68 and IK10 metal housing
- EN50155 and e-mark certified
- External microphone connection
- Triple stream H.264/MJPEG/MPEG4
- Digital WDR
- Real time video (HDTV) 1080p.
- Micro SD/SDHC local storage
- POE and 12-24v. DC power supply
- High resolution 360° panoramic video



Camera		
Type		Mini-dome, metal casting body, IP68 and IK10 vandal proof
Image Sensor		1/2,5" progressive CMOS
Picture Elements		2592(H)x1920(V)
Minimum Illumination	Color	0.4 LUX @ F1.2
	B/W	0.2 LUX @ F1.2
Shutter Speed		Automatic, Manual 1/7,5 ~ 1/100,000 seg.
White Balance		Automatic, settings
Gain Control		Automatic

Lens		
Megapixel		Yes
Lens Type		Fix focal
Focal Length		1.37mm.
Maximum Aperture		F1,6
Mount		M12 Mount
Image Format		1/2,5"
Operation	Focus	Manual
	Iris	Fixed iris
Operation		
Video Compression		H.264, MJPEG, MPEG4
Video Stream		Triple stream
Frame Rate		12 fps.
Image Setting		Brightness, Contrast, Sharpness, White balance, Flicker, Image flip, Shutter speed, Back light compensation, Digital WDR
Audio Compression		G.711, AAC-LC
Audio		External connection for audio in. Sampling up 48Khz.
Bit rate		64-7000Kb.
Video Resolution		
Main Stream		2592x1920
Sub Stream		1920x1080, 1600x1200, 1280x1024, 1280x720, 720x480, 640x480, 320x192
Network		
Interface		10/100 Ethernet
Protocol		TCP/IP, SMTP, FTP, HTTP, RTP/RTSP, RTCP, IPv4, UPnP, NTP, ICMP, DHCP
Mechanical		
Connectors	Power	PoE and 12-24v. DC.
	Ethernet	RJ-45
	Audio	Audio In connector
	Local Storage	Micro SD/SDHC class 4 or above
General		
Environment Temperature		-10~50°C.
Humidity		10-90% Not condensing
Power Source		PoE and 12-24v. DC.
Max. Power Consumption		4,6W.
Dimensions (L X W X H)		Φ110,8 x 49,15mm (Φ4,36" x 1,93") / Φ119,4 x 63,75mm (Φ4,7" x 2,51")
Weight		360g / 405g
Regulatory		CE, FCC, RoHS compliant, EN50155, e-mark
Power over Ethernet		
PoE Standard		IEEE 802.3af
PoE Power Supply Type		End-span / Mid-span
Web Interface		
Installation Management		Web based configuration
Maintenance		Upgrade through web browser
Access from Web Browser		Camera live view, video recording, video settings, bandwidth control, image snapshot, audio, video/image schedule recording, alarms, text overlay, network settings
Language		English, Spanish, Arabic, Traditional Chinese, Turkish, Hebrew, French, Russian, Vietnamese
Applications		
Network Storage		Arlotto NVR devices
Live Viewing		IE
CMS Server support		Qgard and Arlotto CMS
Platform		
Standard		Onvif 2.4, PSIA, Profile S
SDK		Available



## Arlotto Comnet Inc.

No. 54 Park Avenue 2. Hsinchu Science Park  
 30075 Hsinchu, Taiwan  
 Tel:+886-3-5678020 | Fax:+886-3-5678019  
 email: sales@arlotto.com.tw