

AR3520P

360° De-warping Camera

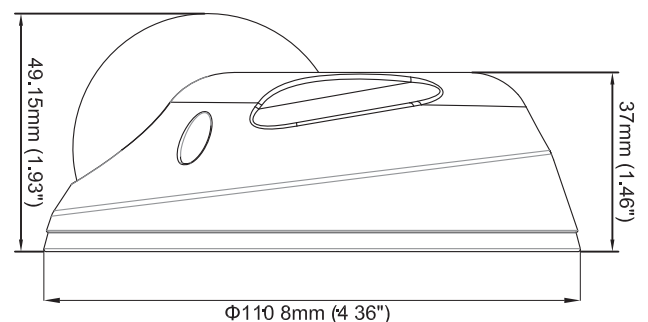
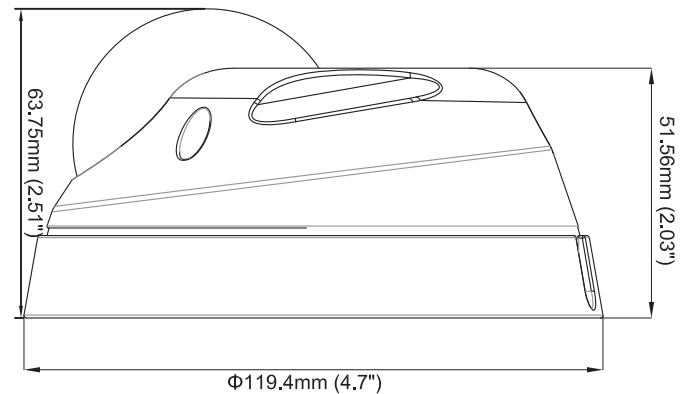
The AR32520P is a professional 360° panoramic vision network camera providing finest image quality in 5 megapixel resolution, designed with a bigger size CMOS sensor to provide an excellent image quality and perfect panoramic vision.

Protected with an IP68 weather proof and IK10 vandal proof housing, including local storage.

EN50155 certified for transportation use.



- 5 megapixel resolution
- 360° panoramic vision
- Multi stream H.264/MJPEG/MPEG4
- IP68 weather proof housing
- IK10 vandal proof
- EN50155 transportation certified
- Digital WDR
- Micro SD local storage
- POE power supply



Camera		
Type	Mini-dome panoramic camera, metal casting body, IP68 and IK10 vandal proof	
Image Sensor	1/2.5" progressive CMOS	
Picture Elements	2592(H) x 1920(V)	
Minimum Illumination	Color	0.4 LUX @ F1.2
	B/W	0.2 LUX @ F1.2
Shutter Speed	Automatic, Manual 1/7,5 ~ 1/100,000 seg.	
White Balance	Automatic, settings	
Gain Control	Automatic	

Lens		
Megapixel		Yes
Lens Type		Fish-eye
Focal Length		1,37mm.
Maximum Aperture		F2,0
Mount		M12 Mount
Image Format		1/2,5"
Operation	Focus	Manual
	Iris	Fixed iris
Operation		
Video Compression		H.264, MJPEG, MPEG4
Video Stream		Triple stream
Frame Rate		12 fps.
Image Setting		Brightness, Contrast, Sharpness, White balance, Flicker, Image flip, Shutter speed, Back light compensation, Digital WDR
Audio Compression		G.711, AAC-LC
Two-way Audio		No
Bit rate		64-700Kb.
Video Resolution		
Main Stream		2592x1920
Network		
Interface		10/100 Ethernet
Protocol		TCP/IP, SMTP, FTP, HTTP, RTP/RTSP, RTCP, IPv4, UPnP, NTP, ICMP, DHCP
Mechanical		
Connectors	Power	PoE
	Ethernet	RJ-45
	Audio	By adding external Audio In cable
	Local Storage	Micro SD/SDHC class 4 or above
General		
Environment Temperature		-10~50°C.
Humidity		10-90% Not condensing
Power Source		PoE
Max. Power Consumption		4,6W.
Dimensions (L X W X H)		Φ110,8 x 49,15mm (Φ4,36" x 1,93") / Φ119,4 x 63,75mm (Φ4,7" x 2,51")
Weight		365g / 410g
Regulatory		CE, FCC, RoHS compliant, EN50155
Power over Ethernet		
PoE Standard		IEEE 802.3af
PoE Power Supply Type		End-span / Mid-span
Web Interface		
Installation Management		Web based configuration
Maintenance		Upgrade through web browser
Access from Web Browser		Camera live view, video recording, video settings, bandwidth control, image snapshot, audio, video/image schedule recording, alarms, text overlay, network settings
Language		English, Spanish, Arabic, Traditional Chinese, Turkish, Hebrew, French, Russian, Vietnamese
Applications		
Network Storage		Arlotto NVR devices
Live Viewing		IE
CMS Server support		Qgard and Arlotto CMS
Platform		
Standard		Onvif 2.4, PSIA, Profile S
SDK		Available



Arlotto Comnet Inc.

No. 54 Park Avenue 2. Hsinchu Science Park
 30075 Hsinchu, Taiwan
 Tel:+886-3-5678020 | Fax:+886-3-5678019
 email: sales@arlotto.com.tw