

# AR3210PTA

## Mini-dome Camera

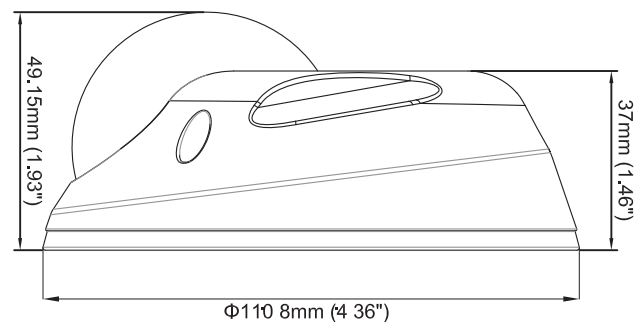
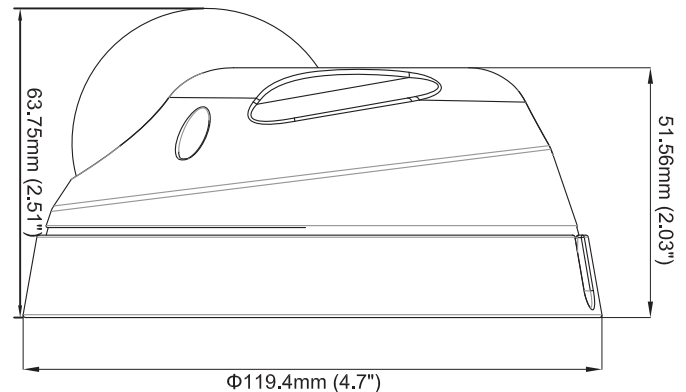
The AR3210PTA is a small factor 2 megapixel mini-dome network camera, with a very compact and robust design and a powerful heart inside. Able to deliver perfect video stream and balanced colors in HDTV 1920x1080 at 30fps., real time video.

EN50155 certified for transportation applications and built-in microphone.

Thoroughly protected with an IP67 and IK10 full aluminum housing. Giving a great performance protection against water and dust and even to hard vandalism situations.



- 1/2,5" Bigger size Aptina CMOS sensor
- IP67 and IK10 metal housing
- EN50155 certified
- Built-in microphone
- Extended working temperature -30°/75°C.
- Real time video (HDTV) 1080p.
- Micro SD/SDHC local storage
- POE power supply
- Digital WDR
- High resolution fix focal/IR sensible lens



Camera		
Type		Mini-dome, metal casting body, IP67 and IK10 vandal proof
Image Sensor		1/2,5" progressive CMOS
Picture Elements		1920(H) x 1200(V)
Minimum Illumination	Color	0.4 LUX @ F1.2
	B/W	0.2 LUX @ F1.2
Shutter Speed		Automatic, Manual 1/7,5 ~ 1/100,000 seg.
White Balance		Automatic, settings
Gain Control		Automatic

Lens		
Megapixel		Yes
Lens Type		Fix focal
Focal Length		4mm.
Maximum Aperture		F1,6
Mount		M12 Mount
Image Format		1/2,5"
Operation	Focus	Manual
	Iris	Fixed iris
Operation		
Video Compression		H.264, MJPEG, MPEG4
Video Stream		Triple stream
Frame Rate		30 fps.
Image Setting		Brightness, Contrast, Sharpness, White balance, Flicker, Image flip, Shutter speed, Back light compensation, Digital WDR
Audio Compression		G.711, AAC-LC
Audio		Built-in microphone
Bit rate		64-7000Kb.
Video Resolution		
Main Stream		1920x1080
Sub Stream		1600x1200, 1280x1024, 1280x720, 720x480, 640x480, 320x192
Network		
Interface		10/100 Ethernet
Protocol		TCP/IP, SMTP, FTP, HTTP, RTP/RTSP, RTCP, IPv4, UPnP, NTP, ICMP, DHCP
Mechanical		
Connectors	Power	PoE
	Ethernet	RJ-45
	Audio	By adding external Audio In cable
	Local Storage	Micro SD/SDHC class 4 or above
General		
Environment Temperature		-30°~75°C.
Humidity		10-90% Not condensing
Power Source		PoE
Max. Power Consumption		4,6W.
Dimensions (L X W X H)		Φ110,8 x 49,15mm (Φ4,36" x 1,93") / Φ119,4 x 63,75mm (Φ4,7" x 2,51")
Weight		360g / 405g
Regulatory		CE, FCC, RoHS compliant, EN50155
Power over Ethernet		
PoE Standard		IEEE 802.3af
PoE Power Supply Type		End-span / Mid-span
Web Interface		
Installation Management		Web based configuration
Maintenance		Upgrade through web browser
Access from Web Browser		Camera live view, video recording, video settings, bandwidth control, image snapshot, audio, video/image schedule recording, alarms, tect overlay, network settings
Language		English, Spanish, Arabic, Traditional Chinese, Turkish, Hebrew, French, Russian, Vietnamese
Applications		
Network Storage		Arlotto NVR devices
Live Viewing		IE
CMS Server support		Qgard and Arlotto CMS
Platform		
Standard		Onvif 2.4, PSIA, Profile S
SDK		Available



### Arlotto Comnet Inc.

No. 54 Park Avenue 2. Hsinchu Science Park  
 30075 Hsinchu, Taiwan  
 Tel:+886-3-5678020 | Fax:+886-3-5678019  
 email: sales@arlotto.com.tw