

AR3210PE

Mini-dome Camera

The AR3210PE is a small factor 2 megapixel mini-dome network camera, with a very compact and robust design and a powerful heart inside. Able to deliver perfect video stream and balanced colors in HDTV 1920x1080 at 30fps., real time video.

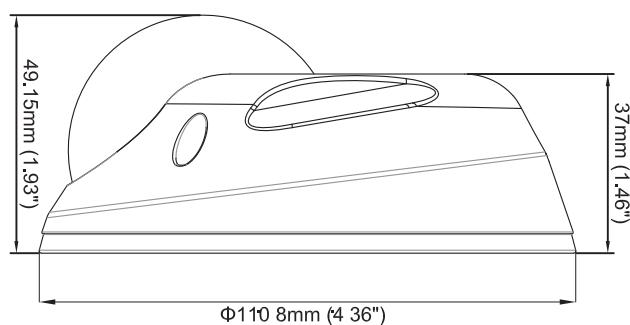
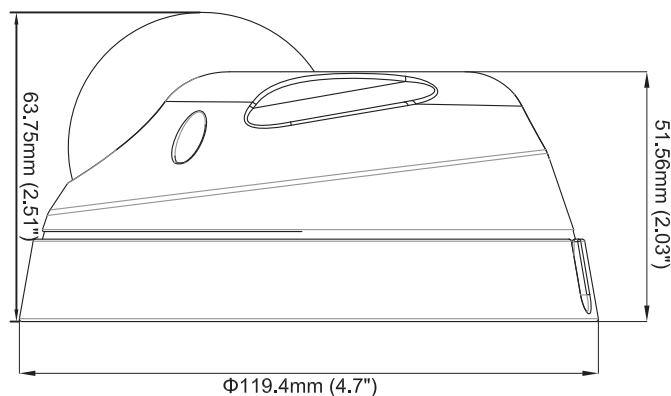
Specially designed for transport applications, including POE and DC power 12-24V. for an easier installation and external audio connection up to 48Khz.

EN50155 and e-mark certified.

Thoroughly protected with an IP68 and IK10 full aluminum housing. A great performance against harsh environment and vandalism situations.



- 2 megapixel Aptina CMOS sensor
- IP68 and IK10 metal housing
- EN50155 and e-mark certified
- External microphone connection
- Triple stream H.264/MJPEG/MPEG4
- Real time video (HDTV) 1080p.
- Digital WDR
- Micro SD/SDHC local storage
- POE and 12-24v. DC power supply
- High resolution fix focal/IR sensible lens



Camera		
Type		Mini-dome, metal casting body, IP68 and IK10 vandal proof
Image Sensor		1/2,5" progressive CMOS
Picture Elements		1920(H) x 1200(V)
Minimum Illumination	Color	0.4 LUX @ F1.2
	B/W	0.2 LUX @ F1.2
Shutter Speed		Automatic, Manual 1/7,5 ~ 1/100,000 seg.
White Balance		Automatic, settings
Gain Control		Automatic

Lens	
Megapixel	Yes
Lens Type	Fix focal
Focal Length	4mm.
Maximum Aperture	F1,6
Mount	M12 Mount
Image Format	1/2,5"
Operation	Focus Iris
	Manual Fixed iris
Operation	
Video Compression	H.264, MJPEG, MPEG4
Video Stream	Triple stream
Frame Rate	30 fps.
Image Setting	Brightness, Contrast, Sharpness, White balance, Flicker, Image flip, Shutter speed, Back light compensation, Digital WDR
Audio Compression	G.711, AAC-LC
Audio	External connection for audio in. Sampling up 48Khz.
Bit rate	64-7000Kb.
Video Resolution	
Main Stream	1920x1080
Sub Stream	1600x1200, 1280x1024, 1280x720, 720x480, 640x480, 320x192
Network	
Interface	10/100 Ethernet
Protocol	TCP/IP, SMTP, FTP, HTTP, RTP/RTSP, RTCP, IPv4, UPnP, NTP, ICMP, DHCP
Mechanical	
Connectors	Power Ethernet Audio Local Storage
	PoE, 12-24v. DC. RJ-45 Audio In connector Micro SD/SDHC class 4 or above
General	
Environment Temperature	-10~50°C.
Humidity	10-90% Not condensing
Power Source	PoE, 12-24v. DC.
Max. Power Consumption	4,6W.
Dimensions (L X W X H)	Φ110,8 x 49,15mm (Φ4,36" x 1,93") / Φ119,4 x 63,75mm (Φ4,7" x 2,51")
Weight	360g / 405g
Regulatory	CE, FCC, RoHS compliant, EN50155, e-mark
Power over Ethernet	
PoE Standard	IEEE 802.3af
PoE Power Supply Type	End-span / Mid-span
Web Interface	
Installation Management	Web based configuration
Maintenance	Upgrade through web browser
Access from Web Browser	Camera live view, video recording, video settings, bandwidth control, image snapshot, audio, video/image schedule recording, alarms, text overlay, network settings
Language	English, Spanish, Arabic, Traditional Chinese, Turkish, Hebrew, French, Russian, Vietnamese
Applications	
Network Storage	Arlotto NVR devices
Live Viewing	IE
CMS Server support	Qgard and Arlotto CMS
Platform	
Standard	Onvif 2.4, PSIA, Profile S
SDK	Available



Arlotto Comnet Inc.

No. 54 Park Avenue 2. Hsinchu Science Park
30075 Hsinchu, Taiwan
Tel:+886-3-5678020 | Fax:+886-3-5678019
email: sales@arlotto.com.tw