

AR2520T

360° De-warping Camera

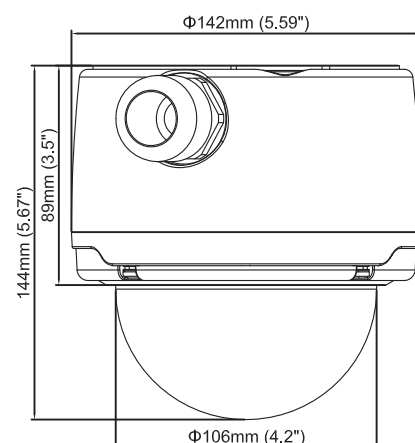
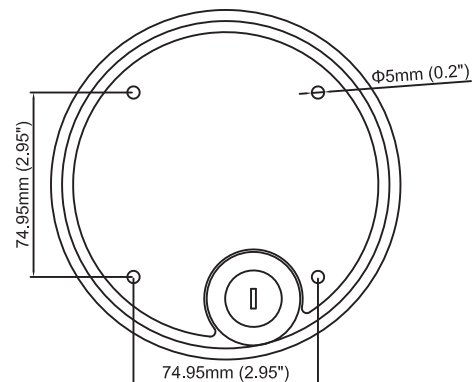
Advanced panoramic network cameras with 360° vision around the camera. Not blind areas and total control of the image in a single image.

Total control in 5 megapixel resolution, best performance with a superior 1/2,5" Aptina CMOS sensor to have total security in large or small areas. Ideal to decrease the number of cameras by area.

Best performance camera designed with industrial grade components to perform perfectly in -30 to 75°C.



- 5 megapixel resolution
- Aptina low lux CMOS sensor in 1/2.5"
- 360° vision around the camera
- Extended working temperature -30/75°C.
- Digital WDR
- 2592x1920 at 12 fps.
- IP66/IK10 aluminum metal housing
- Multiple stream H.264, MJPEG, MPEG4
- POE and DC power supply
- SD/SDHC and USB local storage
- High resolution fix iris fish eye lens



Camera		
Type		Fix dome, metal casting body, IP66 including IR light 20m.
Image Sensor		1/2,5" progressive CMOS
Picture Elements		2592(H) x 1920(V)
Minimum Illumination	Color	0.4 LUX @ F1.2
	B/W	0.2 LUX @ F1.2
Shutter Speed		Automatic, Manual 1/7,5 ~ 1/100,000 seg.
White Balance		Automatic, settings
Gain Control		Automatic

Lens		
Megapixel		Yes
Lens Type		Fish-eye
Focal Length		1,37mm.
Maximum Aperture		F2,0
Mount		M12 Mount
Image Format		1/2,5"
Operation	Focus	Manual
	Iris	Fixed iris
Operation		
Video Compression		H.264, MJPEG, MPEG4
Video Stream		Triple stream
Frame Rate		12 fps.
Image Setting		Brightness, Contrast, Sharpness, White balance, Flicker, Image flip, Shutter speed, Back light compensation, Digital WDR
Audio Compression		G.711, AAC-LC
Two-way Audio		Yes
Alarm Input		1 input
Alarm Output		1 digital output
Bit rate		64-7000Kb.
Video Resolution		
Main Stream		2592x1920
Network		
Interface		10/100 Ethernet
Protocol		TCP/IP, SMTP, FTP, HTTP, RTP/RTSP, RTCP, IPv4, UPnP, NTP, ICMP, DHCP
Mechanical		
Connectors	Power	DC Power Jack, PoE
	Ethernet	RJ-45
	Audio	By adding external Audio In and Audio Out cable
	Digital I/O / RS485	By adding a cable with 6 pin terminal block
	Auto Iris	Yes
	Local Storage	SD/SDHC class 4 or above, USB
	TV-Out	BNC, resolution 640x480
LED Indicator		2 LED, power/status
General		
Environment Temperature		-30~75°C.
Humidity		10-90% Not condensing
Power Source		12V DC / PoE
Max. Power Consumption		6,5W. DC / 6,7W. PoE
Dimensions (L X W X H)		Φ142 x 144mm (Φ5,59" x 5,67")
Weight		1180g
Regulatory		CE, FCC, RoHS compliant
Power over Ethernet		
PoE Standard		IEEE 802.3af
PoE Power Supply Type		End-span / Mid-span
Web Interface		
Installation Management		Web based configuration
Maintenance		Upgrade through web browser
Access from Web Browser		Camera live view, video recording, video settings, bandwidth control, image snapshot, audio, video/image schedule recording, alarms, text overlay, network settings
Language		English, Spanish, Arabic, Traditional Chinese, Turkish, Hebrew, French, Russian, Vietnamese
Applications		
Network Storage		Arlotto NVR devices
Live Viewing		IE
CMS Server support		Qgard and Arlotto CMS
Platform		
Standard		Onvif 2.4, PSIA, Profile S
SDK		Available



Arlotto Comnet Inc.

No. 54 Park Avenue 2. Hsinchu Science Park
 30075 Hsinchu, Taiwan
 Tel:+886-3-5678020 | Fax:+886-3-5678019
 email: sales@arlotto.com.tw