

AR2500T

Dome Camera

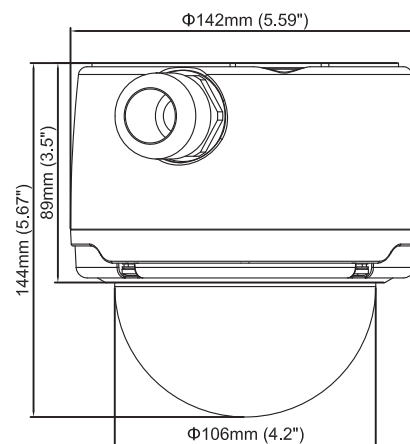
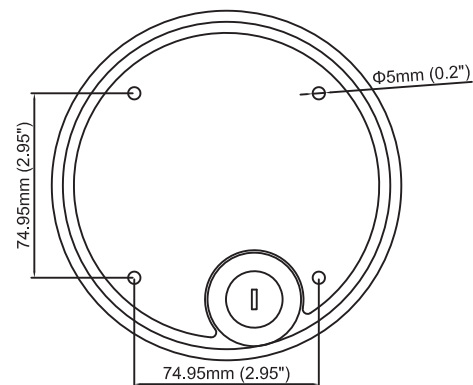
The AR2500T is a network camera especially designed for outdoor applications, rugged fixed dome camera designed with an industry-leading image quality and high performance processing power.

Its sturdy metal housing is IP66/IK10 rated and tamper resistant is designed to be used in a wide range of environmental operating conditions.

Specially designed for working 24/7 in harsh environment, from -30/75°C.



- 5 megapixel Aptina CMOS 1/2.5" sensor
- 2592x1920 resolution at 12fps
- Extended working temperature -30/75°C.
- Triple stream H.264, MJPEG, MPEG4
- Digital WDR
- IP66/IK10 metal housing with IR light
- POE and DC power supply
- SD/SDHC and USB local storage
- Advanced light measurement
- High resolution varifocal, autoiris lens



Camera

Type	Fix dome, metal casting body, IP66 including IR light 20m.	
Image Sensor	1/2,5" progressive CMOS	
Picture Elements	2592(H) x 1920(V)	
Minimum Illumination	Color	0.4 LUX @ F1.2
	B/W	0.2 LUX @ F1.2
	IR ON	0 Lux
Shutter Speed	Automatic, Manual 1/7,5 ~ 1/100,000 seg.	
White Balance	Automatic, settings	
Gain Control	Automatic	

Lens		
Megapixel		Yes
Day/Night		Yes
Lens Type		Varifocal
Focal Length		3,3-10,5mm.
Maximum Aperture		F1,4
Mount		Φ14 Mount
Image Format		1/2,5"
Operation	Focus	Manual
	Zoom	Manual
	Iris	DC iris
Operation		
Video Compression		H.264, MJPEG, MPEG4
Video Stream		Triple stream
Frame Rate		12 fps.
Image Setting		Brightness, Contrast, Sharpness, White balance, Flicker, Image flip, Shutter speed, Back light compensation, Digital WDR
Audio Compression		G.711, AAC-LC
Two-way Audio		Yes
Alarm Input		1 input
Alarm Output		1 digital output
Bit rate		64-7000Kb.
Video Resolution		
Main Stream		2592x1920
Sub Stream		2048x1536, 1920x1080, 1600x1200, 1280x1024, 1280x720, 720x480, 640x480, 320x192
Network		
Interface		10/100 Ethernet
Protocol		TCP/IP, SMTP, FTP, HTTP, RTP/RTSP, RTCP, IPv4, UPnP, NTP, ICMP, DHCP
Mechanical		
Connectors	Power	DC Power Jack, PoE
	Ethernet	RJ-45
	Audio	By adding external Audio In and Audio Out cable
	Digital I/O / RS485	By adding a cable with 6 pin terminal block
	Auto Iris	Yes
	Local Storage	SD/SDHC class 4 or above, USB
	TV - Out	BNC, resolution 640x480
LED Indicator		2 LED, power/status
General		
Environment Temperature		-30~75°C.
Humidity		10-90% Not condensing
Power Source		12V DC / PoE
Max. Power Consumption		6,5W. DC / 6,7W. PoE
Dimensions (L X W X H)		Φ142 x 144mm (Φ5,59" x 5,67")
Weight		1210g
Regulatory		CE, FCC, RoHS compliant
Power over Ethernet		
PoE Standard		IEEE 802.3af
PoE Power Supply Type		End-span / Mid-span
Web Interface		
Installation Management		Web based configuration
Maintenance		Upgrade through web browser
Access from Web Browser		Camera live view, video recording, video settings, bandwidth control, image snapshot, audio, video/image schedule recording, alarms, text overlay, network settings
Language		English, Spanish, Arabic, Traditional Chinese, Turkish, Hebrew, French, Russian, Vietnamese
Applications		
Network Storage		Arlotto NVR devices
Live Viewing		IE
CMS Server support		Qgard and Arlotto CMS
Platform		
Standard		Onvif 2.4, PSIA, Profile S
SDK		Available



Arlotto Comnet Inc.

No. 54 Park Avenue 2. Hsinchu Science Park
30075 Hsinchu, Taiwan

Tel:+886-3-5678020 | Fax:+886-3-5678019

email: sales@arlotto.com.tw