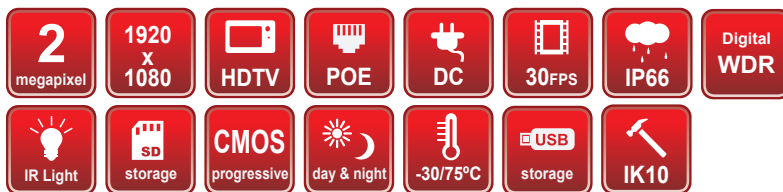


AR2200T

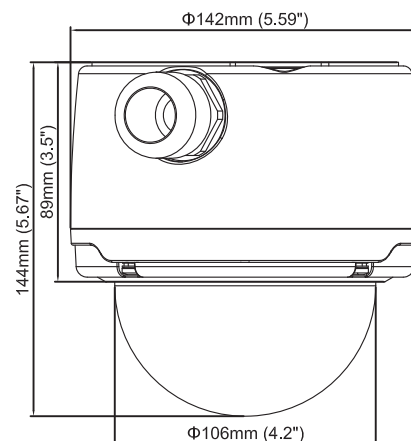
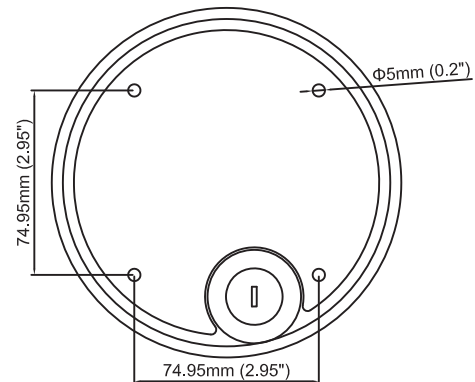
Dome Camera

The AR2200T provides the most robust solution suitable for any demanding outdoor harsh environment. It comes designed with most advanced and industrial grade components. Advanced T.I. DSP and megapixel resolution lenses for better and clear images.

Able to perform in cold and high temperature environments and with the strength of not requiring any maintenance as it does not include heaters or fan.



- 2 megapixel Aptina 1/2.5" CMOS sensor
- Triple stream H.264, MJPEG, MPEG4
- -30/75°C. working temperature range
- Not heater or fan, ZERO maintenance
- 30fps at 1920x1080 HDTV/1080p.
- Digital WDR
- USB and SD/SDHC local storage
- POE and DC power supply
- IP66/IK10 Aluminum metal housing with IR light
- High resolution varifocal, autoiris lens



Camera		
Type		Fix box, metal casting body
Image Sensor		1/2,5" progressive CMOS
Picture Elements		2592(H) x 1920(V)
Minimum Illumination	Color	0.4 LUX @ F1.2
	B/W	0.2 LUX @ F1.2
	IR ON	0 Lux
Shutter Speed		Automatic, Manual 1/7,5 ~ 1/100,000 seg.
White Balance		Automatic, settings
Gain Control		Automatic

Lens		
Megapixel		Yes
Day/Night		Yes
Lens Type		Varifocal
Focal Length		3-10.5mm.
Maximum Aperture		F1,4
Mount		CS Mount
Image Format		1/2,7"
Operation	Focus	Manual
	Zoom	Manual
	Iris	DC iris
Operation		
Video Compression		H.264, MJPEG, MPEG4
Video Stream		Triple stream
Frame Rate		30 fps.
Image Setting		Brightness, Contrast, Sharpness, White balance, Flicker, Image flip, Shutter speed, Back light compensation, Digital WDR
Audio Compression		G.711, AAC-LC
Two-way Audio		Yes
Alarm Input		1 input
Alarm Output		1 digital output
Bit rate		64-7000Kb.
Video Resolution		
Main Stream		1920x1080
Sub Stream		1600x1200, 1280x1024, 1280x720, 720x480, 640x480, 320x192
Network		
Interface		10/100 Ethernet
Protocol		TCP/IP, SMTP, FTP, HTTP, RTP/RTSP, RTCP, IPv4, UPnP, NTP, ICMP, DHCP
Mechanical		
Connectors	Power	DC Power Jack, PoE
	Ethernet	RJ-45
	Audio	1 In using built in microphone / 1 Out phone jack in 3,5mm
	Digital I/O / RS485	6 pin terminal block
	Auto Iris	Yes
	Local Storage	SD/SDHC class 4 or above, USB
	TV-Out	SMA to BNC, resolution 640x480
LED Indicator		2 LED, power/status
General		
Environment Temperature		-10~50°C.
Humidity		10-90% Not condensing
Power Source		12V DC / PoE
Max. Power Consumption		4,8W. DC / 6,1W. PoE
Dimensions (L X W X H)		134 x 80 x 68 mm (5,28" x 3,15 x 2,68")
Weight		430g
Regulatory		CE, FCC, RoHS compliant
Power over Ethernet		
PoE Standard		IEEE 802.3af
PoE Power Supply Type		End-span / Mid-span
Web Interface		
Installation Management		Web based configuration
Maintenance		Upgrade through web browser
Access from Web Browser		Camera live view, video recording, video settings, bandwidth control, image snapshot, audio, video/image schedule recording, alarms, text overlay, network settings
Language		English, Spanish, Arabic, Traditional Chinese, Turkish, Hebrew, French, Russian, Vietnamese
Applications		
Network Storage		Arlotto NVR devices
Live Viewing		IE
CMS Server support		Qgard and Arlotto CMS
Platform		
Standard		Onvif 2.4, PSIA, Profile S
SDK		Available



Arlotto Comnet Inc.

No. 54 Park Avenue 2. Hsinchu Science Park
30075 Hsinchu, Taiwan
Tel:+886-3-5678020 | Fax:+886-3-5678019
email: sales@arlotto.com.tw